

REARO[®]
NURSERY

NURSERY WASHROOM RANGE

Toilet cubicles, IPS, vanity units and wash troughs





Scan QR code to
view a 3D animation

Front cover details

Nursery Style: Lollipop
Cubicle Door: Cuba Libre
Cubicle Pilasters: Egg Yolk
Cubicle Partitions: Lotus
IPS Panels: Cuba Libre
IPS Shadow Gap: Black
Vanity Top: Wave Wash Trough
Vanity Access Panels: Egg Yolk
Vanity Shadow Gap: Cuba Libre
Wall Panels: Selkie Periwinkle with black powder coated trims

About Rearo

A leading specialist in the supply and manufacture of bathroom and kitchen surfaces within the UK, Rearo is a family run business which has operated on the market since 1991. Rearo products are crafted by hand within a Govan based, 67,000 sq. ft manufacturing premises. Rearo's team of highly skilled craftsmen ensures every item is completed to the highest standards by performing rigorous internal quality checks.

In addition to toilet cubicles, vanity units and IPS for commercial premises, Rearo manufactures and supplies worktops, vinyl click flooring and wall lining systems. Rearo ranges are specified on major development projects across the UK and the company has branches in Glasgow, Northampton, Rosyth, Skelmersdale and Washington.

Nursery Washroom Range

The nursery washroom range by Rearo includes toilet cubicles, vanity units, wash troughs and IPS, designed specifically to suit the requirements of young children in nurseries and primary schools.

Rearo's nursery toilet cubicles provide the required degree of privacy, safety and aesthetic for their users. Fully customisable, cubicles are produced to bespoke specification.

Supplied in 12mm compact grade laminate, this product caters to high traffic environments with three child-friendly cubicle designs to choose from: Wave, Ranch and Lollipop.

Design Options - Wave



Fun and whimsical, Rearo's Wave cubicles have a unique and playful curved aesthetic.

Décor combination shown: Water Blue & Spearmint

Cubicle Door: Water Blue
Cubicle Pilasters: Spearmint
Cubicle Partitions: Spearmint
IPS Panels: Water Blue
IPS Shadow Gap: Black
Vanity Top: Wave Wash Trough
Vanity Access Panels: Spearmint
Vanity Shadow Gap: Water Blue
Wall Panels: Selkie Periwinkle with black powder coated trims

Design Options - Lollipop



Utilising quirky shapes, Lollipop gives cubicles a friendly and youthful appeal.

Décor combination shown: Cuba Libre, Lotus & Egg Yolk Yellow

Cubicle Door: Cuba Libre
Cubicle Pilasters: Egg Yolk Yellow
Cubicle Partitions: Lotus
IPS Panels: Cuba Libre
IPS Shadow Gap: Black
Vanity Top: Wave Wash Trough
Vanity Access Panels: Egg Yolk Yellow
Vanity Shadow Gap: Cuba Libre
Wall Panels: Selkie Periwinkle with black powder coated trims

Design options - Ranch



Western inspired, Rearo's Ranch style cubicles bring a sense of character to school washrooms.

Décor combination shown: Lotus & Royal White

Cubicle Door: Lotus
Cubicle Pilasters: Royal White
Cubicle Partitions: Royal White
IPS Panels: Lotus
IPS Shadow Gap: Black
Vanity Top: Wave Wash Trough
Vanity Access Panels: Royal White
Vanity Shadow Gap: Lotus
Wall Panels: Selkie Periwinkle with black powder coated trims

The Décor Range

Having researched and reviewed upcoming interior trends within the children's market, the Rearo Design team has selected a core range of eight décors for the Nursery Washroom Range.

A mixture of muted pastel tones, mixed with a vibrant accent yellow and blue, this collection considers the psychological effects of colour on a child's behaviour, catering to ADHD and autism requirements.

The scope for children's interiors has changed significantly in recent years. Gone are vibrant colours and gender norms. Instead, palettes are being drawn back to neutral shades, muted pastels, and an emphasis on nature inspired design.

Scan QR code for a full trend analysis, please see the supplementary document

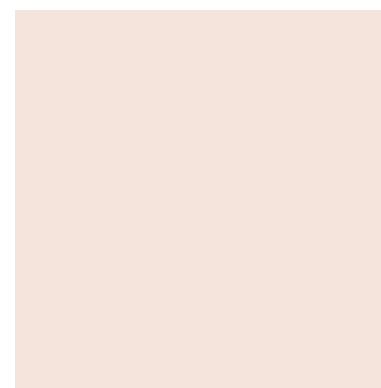
*'Rearo Nursery:
The theory behind'*



EGG YOLK YELLOW, U15579



WATER BLUE, U18002



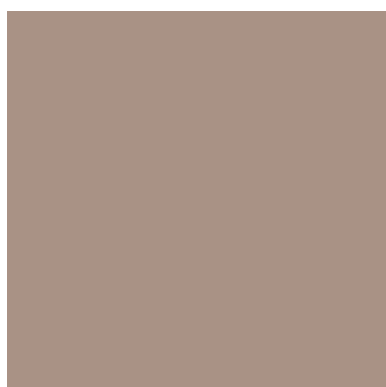
LOTUS, U17035



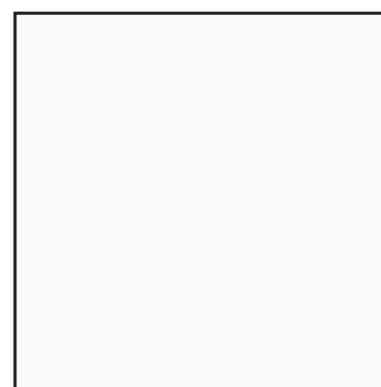
NAVARRA PINE, R55001



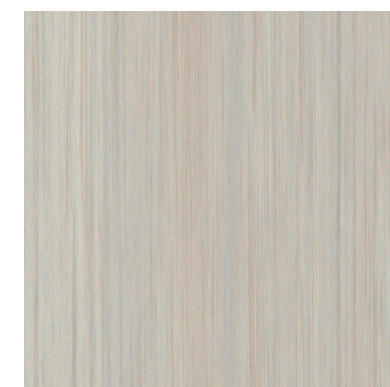
SPEARMINT, U19015



CUBA LIBRE, U16179



ROYAL WHITE, U11209



NORDIC TEAK, R50094

Samples sets are available upon request, please contact a member of the Rearo Sales team via email (commercial@rearo.co.uk) or phone 0141 440 0800

Product Specifications

The Nursery Washroom Range by Rearo is made from 12mm Compact Grade Laminate, designed for areas with high volume traffic, ideal for nurseries and schools.

Manufactured from multiple layers of craft paper, impregnated with thermosetting resin, and featuring two decorative sides, the Compact Grade Laminate material offers strengthened technical properties. The board is non-porous and therefore 100% waterproof, making it ideal for wet environments.

Extremely hard-wearing, it is also vandal resistant and easy to clean. The high specification



Key Features:

- Hygienic
- Low maintenance and easy to clean
- Hard-wearing and strong
- Damage resistant
- 10-year guarantee

Fully Customisable Design

- 3 x designs
- 8 x child-friendly colour choices*
- Meet ADHD and autism requirements
- Made bespoke to suit each room

Safety-focussed Design

- Includes anti-finger trap hinges
- Easy emergency access with coin release and lift off doors

**Plus, the option to incorporate additional decors from the RapidFit range, if required.*

RapidFit



Ironmongery

All of Rears ironmongery is manufactured in the UK and is polyester powder coated (painted) to a sleek, robust nickel finish. This ironmongery is tried and tested and has been used within Rears cubicle systems over the last 30 years.

Hat & coat hook

The hat & coat hook fixes to the back of the cubicle door and provides a hook for children to hang items on. It includes a rubber buffer to prevent the cubicle door swinging open and damaging the partition. The hat & coat hook is fixed in place with two face fixed screws.



*Individual - 5401/2-PPC-H&C Hook 12-21mm
Included within Door Pack - 5402-RFCDC-PPC*

Indicator bolt

The indicator bolt is extremely simple to operate. It includes a chunky cylindrical grip to aid the ease of use. The shoot bolt has been designed in one piece to ensure that no parts or screws work their way loose over time. The face plate is rebated into the door and protrudes only a few millimetres from the face of the door.



To enable the cubicle door to be unlocked from the outside, all Rears locks include an emergency coin release function as standard.

*Individual - 5402-PPC-Ind Bolt 12-13mm
Included within Door Pack - 5402-RFCDC-PPC*

Headrail (3000mm long)

The headrail is a tried and tested 'U' channel that runs the full length of the cubicles, fitting directly on top of the pilasters. Supplied in 3000mm lengths, headrails can be butt joined in the centre of a middle pilaster, should the cubicles extend past 3000mm. Fixed from above or from inside the cubicle, this sturdy 'U' channel provides the structural stability required for the cubicles.



Individual - 5402-PPC-NEW-HRAL3M

Outward opening keeper

An outward opening keeper is required for an outward opening cubicle door to operate correctly. Rears specifically designed this keeper to enable an inward opening door to be switched to an outward opening door without the need to re-drill or move the lock. This feature is useful when last minute changes happen on a project. The keeper is fixed in place using two threads and T-nuts which bolt the keeper to the pilaster.



Individual - 5401/2-PPC-OKP NEW MFC/CG

Partition support leg

The partition support leg fits to the cubicle partitions to provide a floor fixing. The leg is fixed to the partition using two threads and two allen key head T-nuts. Supplied as standard at 150mm high, the partition support leg can be adjusted to suit floor variations with a tolerance of +/- 25mm. At the bottom of the leg is a moveable shoulder that conceals all fixings. It is secured in place with a small grub screw.



*Individual - 5401/2-PPC-LEGS 12-21MM
Included within Partition Pack - 5402-RFCPC-PPC*

Channel brackets

'U' shaped channel brackets are supplied in packs of three as each panel should have three brackets fixing it in place. The kit includes the necessary drill bits for fitting cubicles and IPS. There are wall plugs and screws to fix the brackets to the wall and bolt through fixings and counter sunk T-nuts to secure to other cubicle panels.



*Individual - 5402-RFCPILC-PPC-12-13mm (pk3)
Included within Partition Pack - 5402-RFCPC-PPC*

Door hinges

Door hinges are supplied in pairs, as each door requires two hinges to operate correctly. The hinge has two parts – the first is a 'U' channel, fitted to the edge of the door and bolted in place using T-nuts and screws, with a hinge barrel pin that fits into the second part. The second part is an 'L' shaped arm, fixed to the pilaster and bolted through to the cap, which can be visible from the front. The two-part hinge design allows the door to be lifted off and removed in an emergency (this can only happen if the mushroom screw is removed). Also included are two plastic angled dowels that can be rotated to set the door close position.



*Individual - 5402-PPC-Hinge 12-13mm
Included within Door Pack - 5402-RFCDC-PPC*

Fixing kit

A fixing kit is supplied with every Nursery Washroom order to save you the time and hassle of sourcing these parts yourself. The kit includes the HSS jobber drill bits required to drill through tough Compact Grade material, a drill stop, plus drill bits for fixing the KeKu clips to the IPS panels.



Individual - 5402-IRFK-0SAA

Vanity Units



Rearo Nursery Washroom cubicles can be complemented by matching Compact Grade Vanity Units.

Rearo vanity units are designed to provide a stylish alternative to panel mounted basins and available in lengths up to 2800mm long. Alternatively, they can be butt joined for longer runs.

Manufactured using Rearo's 12mm Compact Grade material to form the vanity bed and downstand, these are then fixed together using an 'L' section. The chosen décor laminate is bonded to the Compact Grade material and postformed to provide a continuous vanity top surface. An optional loose upstand is provided for finishing the vanity top and providing protection against water for the back wall.

Rearo uses Compact Grade to manufacture their nursery vanity units due to this material being impervious to water. This makes it the ideal solution for water-based activities without the worry of damaging the vanity top.

The bottom part of the vanity unit is made up of large shadow gap panels that have been machined in the factory to include cut outs. Fitted in front of these cut outs are the access panels that can be removed to allow access to services and plumbing. The access panels are also manufactured using Compact Grade and fitted with KeKu clips which allow the panel to be lifted on or off.

The full unit including shadow gap panels and fixing clips are supplied, flat-packed, requiring only the supply and build of the timber frame to suit. These units can be enclosed between two walls, corner sited in a room or even left freestanding.

Rearo's vanity units can also be combined with luxury wash troughs instead of the compact grade tops. These are shaped in two styles (Standard and Wave) and are manufactured in one full piece using a 12mm solid surface composite material.

Image colours

Style: Corner Sited (left hand)

Vanity Top: Royal White

Vanity Access Panels: Water Blue

Vanity Shadow Gap: Royal White

Wall Panels: Selkie Periwinkle and Frosty Ice

IPS Panels



To complement the range of toilet cubicles, Rearo offers matching Integrated Plumbing Systems (IPS). Providing aesthetic concealment for plumbing and pipework in toilet cubicles and bathrooms, Rearo IPS is the perfect solution to hide all services.

IPS panels are manufactured using Rearo's 12mm Compact Grade, cut to size and profiled with a bullnose edge all-around to remove sharp edges and increase hygiene levels. IPS panels are fitted to the Shadow Gaps (18mm MR MFC) using KeKu clips which enables them to be lifted on and off to access the services.

The only requirement is to frame out the wall in timber or metal framing and fix the shadow Gaps directly to the frame using screws. The overlap in the IPS panels ensures that all screws are hidden from view.

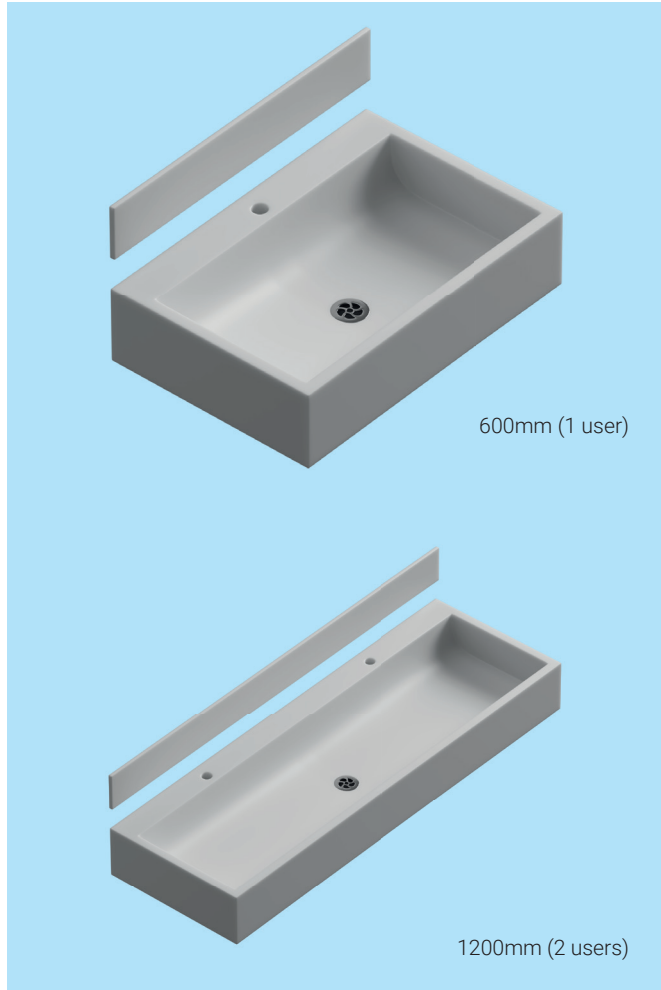
If you require lower height IPS, the Rearo team can design half height IPS, finished off with a removable lid to access the pipework. If required, cubicle partitions can also be extended to maintain privacy for the children.

Image colours

Style: Full Height
Cubicle Partitions: Lotus
IPS Panels: Cuba Libre
IPS Shadow Gap: Black

Wash Troughs - Standard

Solid surface wash troughs are available in two styles - Standard and Wave for a premium, extra-hardwearing finish. Both style wash troughs can be supplied with removeable or fixed upstands.



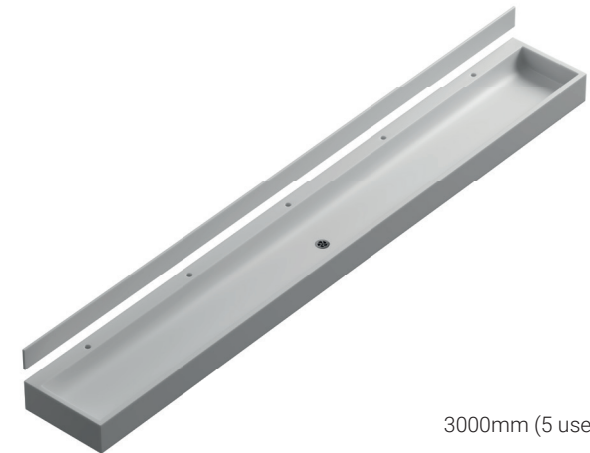
1500mm (3 users)



2000mm (4 users)



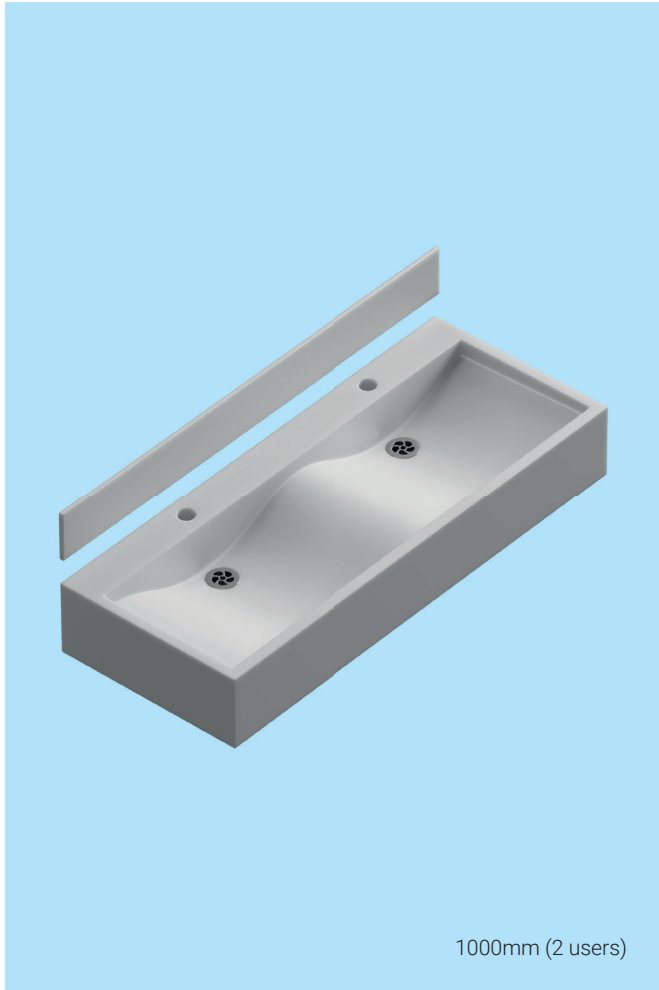
1800mm (3 users)



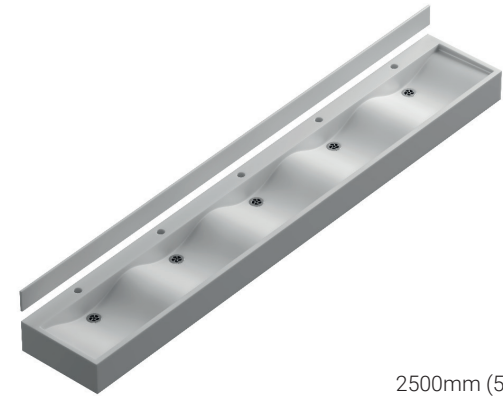
3000mm (5 users)

Wash Troughs - Wave

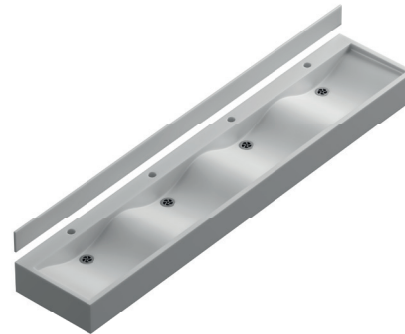
The Wave style wash troughs feature an impressive ripple effect basin and additional wash grates for drainage. Ideal for use with the Wave style Nursery cubicles.



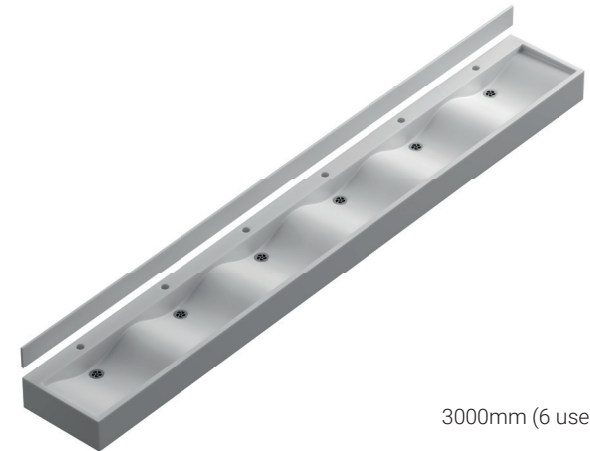
1500mm (3 users)



2500mm (5 users)



2000mm (4 users)



3000mm (6 users)

The Order Process

1. Consultation

Contact the Rearo Commercial team and confirm the approximate size, quantities and layouts required. Submitting a drawing or sketch with your enquiry can ensure that the quotation accurately reflects your requirements.

2. Quote

The Rearo team will provide a quotation based on the information provided. The quote is valid for 60 days. If necessary, it can be revised once it has expired.

3. Deposit Due

Once you approve the quotation, a deposit / PO is required to prepare and design your order.

4. Design Specification

The Rearo team will require the confirmed room dimensions from your fitter/installer. If suitable, the team may visit your site or building to scope the extent of the work and discuss your needs further. The Rearo Design team will then draw up detailed manufacturing drawings showing elevations of your colour choices of how your final Nursery Washroom project will look for you and/or your clients to review and approve. The manufacturing drawings take, on average, 2-5 days, once all the information has been received.

5. Drawing Approval

Once you receive the manufacturing drawings, check all sizes, colours and layouts meet your expectations. If you notice any changes required, let Rearo know. The team can revise the drawings to suit. This process of issuing and revising the drawings will ensure your project is delivered to your expectations.

6. Production Begins

Once drawings have been approved and deposit received, the lead time is generally 2-4 weeks. At this point you will be given a delivery date of when you will receive your order on site in order to prepare the necessary labour.

7. Balance Due

The full balance is due three working days before delivery - for cash customers only.

8. Delivery

Your Nursery order will be delivered via Rearo's dedicated nationwide fleet of trucks. You will receive detailed fitting instructions with your order. The Rearo Customer Service team is available Monday to Friday to assist you and your installer with any further queries you may have.

Complementary Ranges

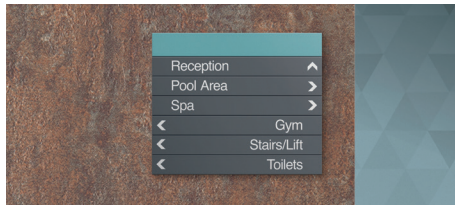


Selkie Board

Supplied in either a tongue and groove or square edge format, **Selkie Board wall lining systems** have an extensive choice of laminate décors to select from.

Waterproof in nature, they are ideal for washroom applications and dry applications, with a range of complementary trims and matching colour silicone sealant for a professional looking finish.

Boards are sold individually: 2420mm x 1200mm x 11mm



Bühne Board

The Commercial specific wall lining solution for high ceiling applications. 3030mm x 580mm x 11mm

Made to order range



Magnetik Range

Perfectly suited to learning areas, the **Magnetik wall lining system** accommodates floor to ceiling areas and allows for collaborative working.

Performing the same function as a whiteboard, the built-in metallic layer within the laminate also allows cooperation with magnets - allowing drawings, notes or posters to be easily displayed.

Panels are sold individually: 3000mm x 1200mm x 14mm

In addition to offering a wide range of washroom surfaces, **Rearo's commercial product list includes a variety of wall lining and accessory options to complement the Nursery range.**



For reference to our full commercial range, please visit www.rearocommercial.co.uk



www.rearo.co.uk
www.rearocommercial.co.uk

REARO[®]
COMMERCIAL SURFACES

GLASGOW HQ

Loanbank House
Loanbank Quadrant, Govan
Glasgow
G51 3HZ

T: 0141 440 0800
F: 0141 445 3342
E: sales@rearo.co.uk

NORTHAMPTON

5 Rye Hill Close
Britannia Trade Park
Northampton
NN5 7UA

T: 01604 212559
E: northampton@rearo.co.uk

ROSYTH

Unit 15 & 16 Primrose Lane
Dunfermline Business Park
Rosyth
KY11 2RN

T: 01383 414000
F: 01383 414400
E: rosyth@rearo.co.uk

WASHINGTON

Unit 15, Tilley Road,
Crowther Industrial Estate
Washington, Tyne & Wear
NE38 0AE

T: 0191 482 2298
F: 0191 482 6245
E: washington@rearo.co.uk

SKELMERSDALE

Crawford Rd
Crawford
Skelmersdale
WN8 9QP

T: 01744 882000
E: skelmersdale@rearo.co.uk